

GORTiTE[®] Roll-Up Doors

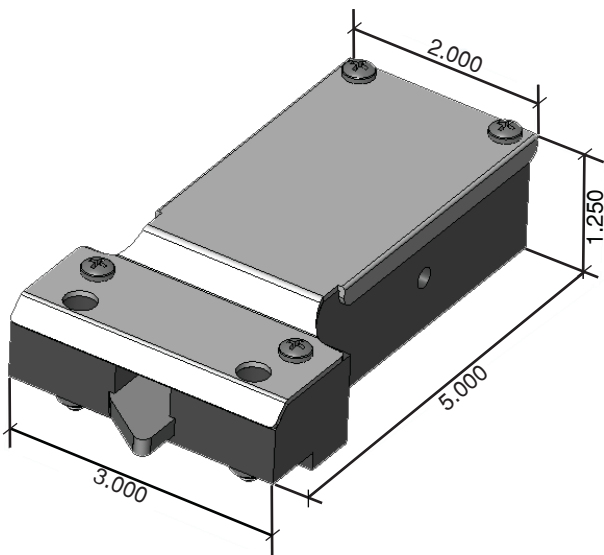
Power Lock Option

Features

- > Compact design
- > Manual Override in the event of power failure
- > Left or right hand mounting available
(left and right for doors greater than 36" wide)

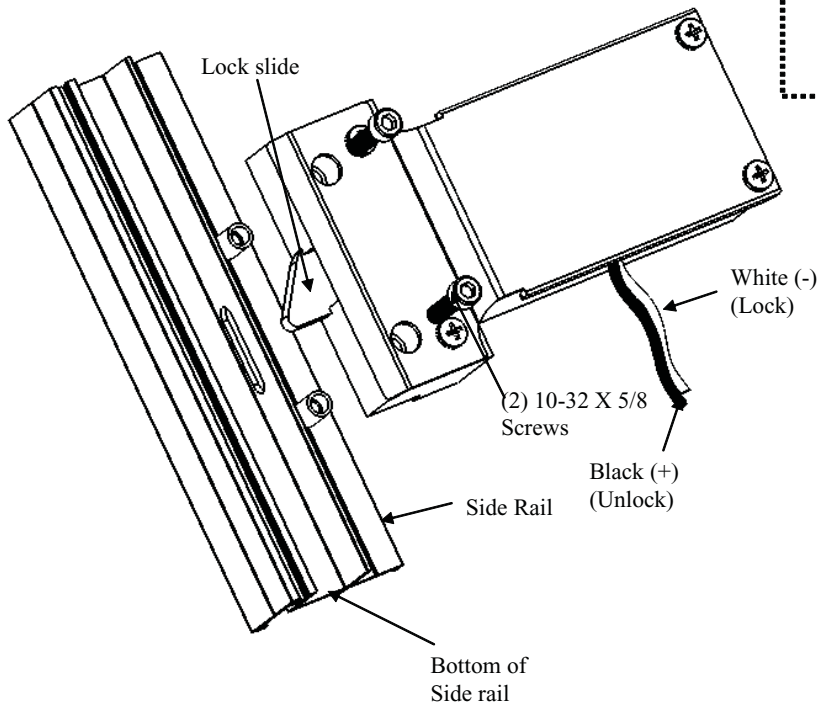
Benefits

- > Designed for quick and easy installation
(installation instructions on back)
- > Available for any width of door



A&A Mfg. Co., Inc.
2300 S. Calhoun Road • New
Berlin, WI 53151
Phone: 262-786-1500
Fax: 262-786-3280
E-mail: sales@gortite.com
www.gortite.com

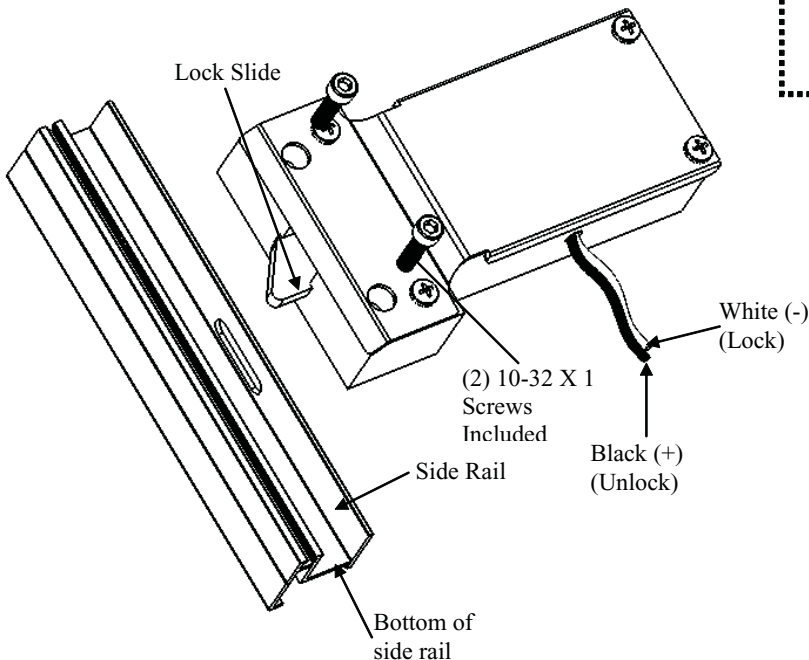
**INSTALLATION INSTRUCTIONS
FOR STANDARD & UNIVERSAL
TYPE SIDE RAILS**



Part No's: PDL-SU-R-0
PDL-SU-L-0 (Shown)

1. Mount power lock unit using the provided mounting screws and tighten securely.
2. Check to ensure lock slide is centered in the side rail slot – it must move freely and not contact side rail.
3. Connect wires and actuate to ensure proper lock/unlock orientation, 12 volts is required to operate power lock.

**INSTALLATION INSTRUCTIONS
FOR RECESSED & P-SERIES
TYPE SIDE RAILS**



Part No's: PDL-RP-R-0
PDL-RP-L-0

1. Locate and drill mounting holes in side of cabinet. (Not shown)
2. To locate the holes push the face of the lock base up flush to the side rail and then center the lock slide in the slot. Then mark the holes to drill.
3. Mount power lock unit using the provided mounting screws and tighten securely.
4. Check to ensure lock slide is centered in the side rail slot – it must move freely and not contact side rail.
5. Connect wires and actuate to ensure proper lock/unlock orientation, 12 volts is required to operate power lock.